



Introducing a New Experience



Overview

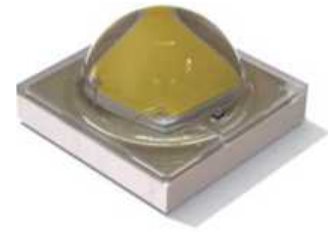
A new revolutionary product combining solar and LED technology. The best solution for all these areas that doesn't have electricity supply, remote places with no good communications, and all the areas with electricity supply but with good climatology. The system charges the battery during the day and illuminate at night. Due to the use of LED technology, is able to maximize all the solar energy and illuminate the environment with radiant and splendid light.

Application

- Garden, Residence, Courtyard
- Crosswalk, Roadway
- Mine, Parking lot
- Areas with no electrical supply



The new Dianming integrated solar street lights utilize LG & Lumileds LED luminous source, which guarantees excellent lumen output up to 110Lm/W, long-lasting stability and fantastic light.



Each LG LED owns electrostatic protection component, avoiding electrostatic damage.

Infrared body sensor/ Microwave induction

With infrared body induction controlled technology, it can store energy during the daylight, and modulate it on/off when people pass through at night.

During the night, the light can work automatically controlled by the smart sensor: It will be on bright mode when people pass through and on energy-saving mode when not (working mode can be adjusted according to client's demands).



All-in-one design

The solar panel will receive the solar energy and be stored in the Lithium-Iron battery through the charge controller, to finally be used to illuminate at night. Due to the use of high-end LED technology, the solar light will be 100% optimized.



Introducing a New Premium Experience

Product benefits

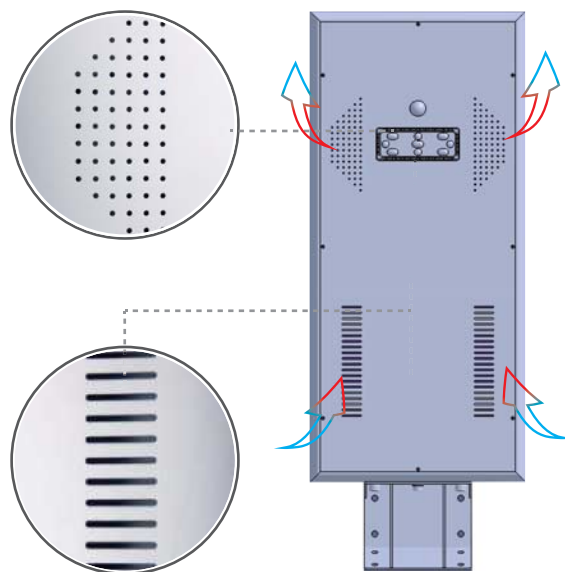
UNIQUE LUMINARIE DESIGN

The lamp is 100% Designed by Dianming engineers. The integrated design makes the light simple, stylish and practical; solar energy supply means clean energy and clean energy means save costs. Once installed, it will not need to face any other costs.

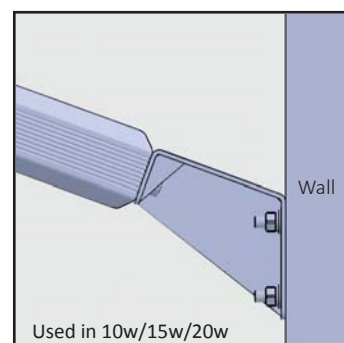
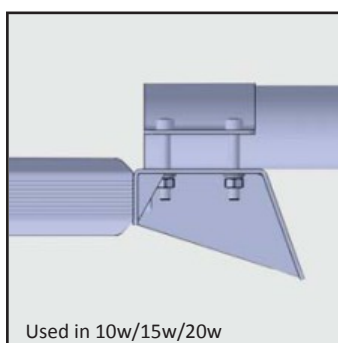
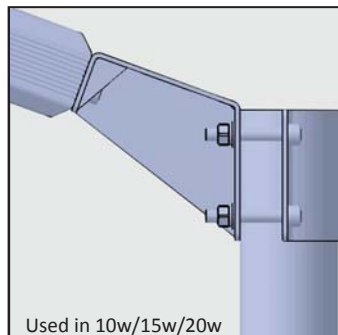
The lamp can be adjusted to different angles, depending on the latitude and characteristics of the land. It can be installed vertically and horizontally, or on a wall. It is designed to install, maintain or repair easily, maintain or repair. Its surface can absorb all the solar energy and its infrared body sensor modulates to save energy during night-time. All these are with no needs of cables. The Lithium-Iron battery is compressed and has three main characteristics: reduced size, high-capacity and long life-span.

Up to 110 Lm/W (Lumens per watt) light output, +90% driver efficiency, 3 years warranty are provided for the whole luminaire.

For more information about Dianming integrated solar street light and LED lighting technologies, please visit www.darmon.com.



FLEXIBLE INSTALLATION



The installation can be adjusted according to different environments or illumination needs.

Introducing a New Premium Experience



Automatically light control
+Infrared body sensor
+Microwave induction

After the infrared body signals being detected, there are two different reactions: When battery voltage works at the normal mode, the light will turn into energy-saving mode after 1-minute 100% lighting period(25%)
When battery voltage works at undervoltage condition, the light will turn into energy-saving mode after 1-minute 50% lighting period(25%).

Specifications

Electrical Specifications:

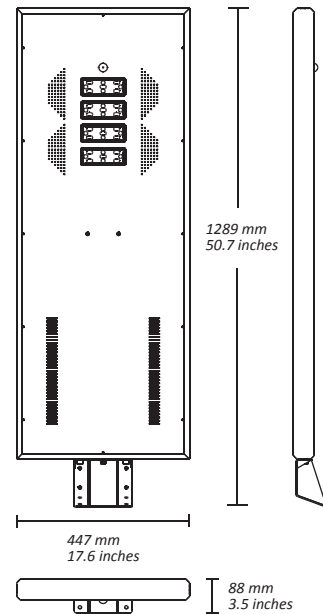
Model No.	DM-PVLD40
LED Number	20 Units
Nominal Power	40 W
Solar Panel Spec.	Monocrystal 73.5W/18V
Battery Spec.	33AH/12V
Constant Worktime at Full Power	10Hours
Worktime at Energy-saving Mode(25%)	≥35 Hours
Charge Time	Max power 5~6 Hours
Charge Temperature	<60°C
Discharge Temperature	-20°C~60°C
Switch Lights Sense Threshold	on ≤10 LXS, off ≥15 LXS

Photometric Specifications:

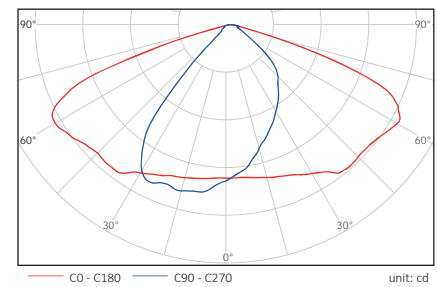
Luminous Flux (full power)	4200 lm (±Lumen tolerance +/- 5%)
Light Type	1, 3
CCT	

Mechanical Specifications:

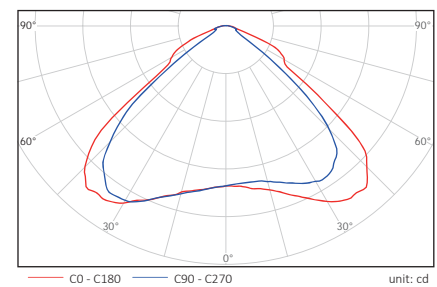
Installation Height	6~7m
Installation Distance	25m
Lamp Pole Diameter	40~60mm
Fixture Dimensions	1126 x325 x44 mm 44.5x13x1.6inch
Fixture Weight	18.5 kg



1S



2S



Packing Type

1unit(s)/ctn.

Packing Dimensions

1180 x390 x210 mm
46.4 x15.5 x8 inches

Packing Weight

20.0 kg /44.1 lbs